

STATION POST

CAT. NO. 17PA21

138 kV 650 kV BIL
TR 288

DIMENSIONS:

LEAKAGE DISTANCE IN 116

MECHANICAL VALUES:

CANTILEVER STRENGTH LB 1,450
TENSION STRENGTH LB 20,000
TORSION STRENGTH IN-LB 60,000
COMPRESSION STRENGTH LB 60,000

ELECTRICAL VALUES:

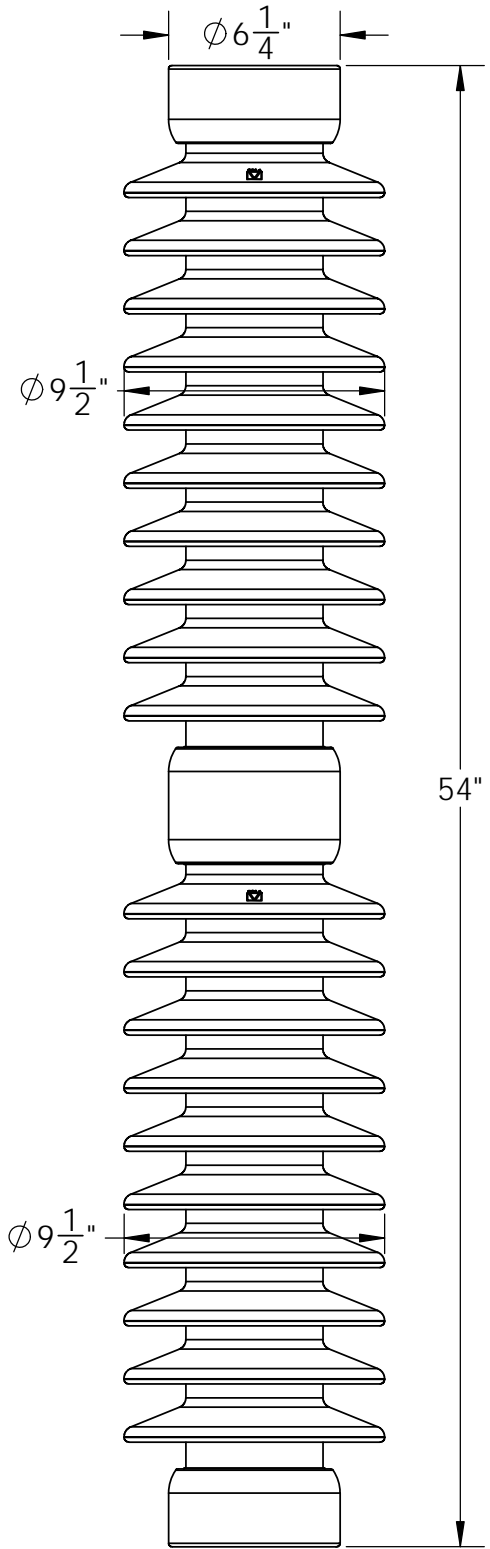
IMPULSE FLASHOVER-POSITIVE kV 710
60 HERTZ WITHSTAND-WET kV 275
IMPULSE WITHSTAND kV 650

RADIO INFLUENCE VOLTAGE DATA:

60 HERTZ TEST VOLTAGE TO GROUND kV 88
MAXIMUM R.I.V. @ 1000 kHz μV 200

PACKAGING INFORMATION:

NET WEIGHT, LB 177
PACKED WEIGHT LB 189
NO. IN STANDARD PACKAGE 1



4 HOLES 5/8"-11 +.015
ON 5" B.C., BOTH ENDS

- 1 ENG. MGR
- 2 ENG
- PURCH.
- 1 MKTG.
- PLT.MGR.
- COST
- PRD.
- INSP
- GLAZE
- BUSHING
- MAKING
- SHIP
- ASSEM
- MODEL
- MACH.
- 45
- TOOLING
- CER LAB
- 1 EL LAB
- 1 E.MEDIA

THIS DRAWING IS THE PROPERTY OF VICTOR INSULATORS, INC. AND CONTAINS PROPRIETARY AND CONFIDENTIAL INFORMATION WHICH MUST NOT BE DUPLICATED, USED, OR DISCLOSED OTHER THAN AS EXPRESSLY AUTHORIZED BY VICTOR INSULATORS, INC.

APPROVED
By A. E. Schwalm at 4:27 pm, Jun 14, 2018

06-14-18

TM

05-17-16

TM



Victor Insulators, Inc.

280 Maple Avenue
Victor, New York 14564
Telephone: (585)924-2127
www.victorinsulators.com

17PA21