

STATION POST

CAT. NO. PSP-214P

46 kV 250 kV BIL

ANSI PSP-214P

- 1 ENG. MGR
- 2 ENG
- PURCH.
- 1 MKTG.
- PLT.MGR.
- COST
- PRD.
- INSP
- GLAZE
- BUSHING
- MAKING
- SHIP
- ASSEM
- MODEL
- MACH.
- 45
- TOOLING
- CER LAB
- 1 EL LAB
- 1 E.MEDIA

**DIMENSIONS:**

LEAKAGE DISTANCE IN[mm] 55.6[1,412]

**MECHANICAL VALUES:**

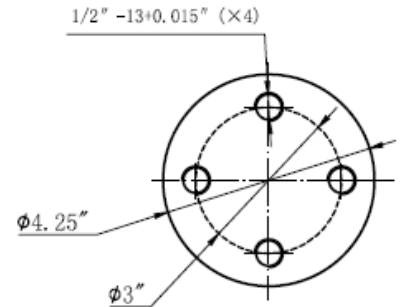
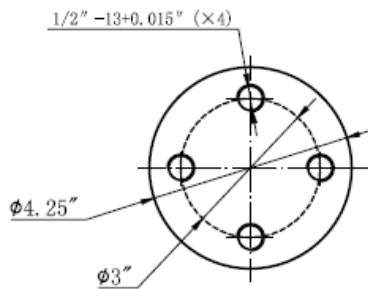
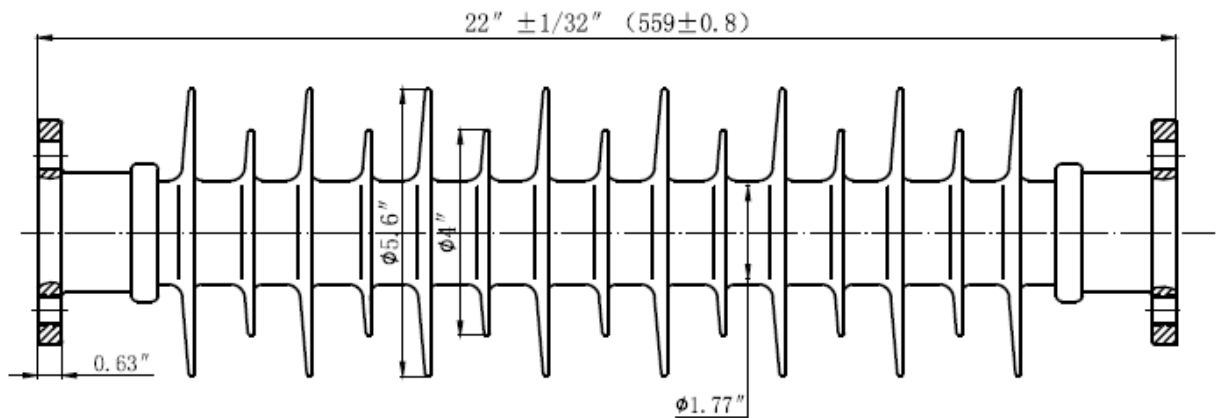
CANTILEVER STRENGTH LB[kN] 2,000[8.9]  
 TENSION STRENGTH LB[kN] 10,000[44.5]  
 TORSION STRENGTH IN-LB[kN-m] 10,000[44.5]  
 COMPRESSION STRENGTH LB[kN] 6,000[.7]

**ELECTRICAL VALUES:**

IMPULSE FLASHOVER-POSITIVE kV 280  
 60 HERTZ WITHSTAND-WET kV 100  
 IMPULSE WITHSTAND kV 250

**RADIO INFLUENCE VOLTAGE DATA:**

60 HERTZ TEST VOLTAGE TO GROUND kV 30  
 MAXIMUM R.I.V. @ 1000 kHz  $\mu$ V 200



THIS DRAWING IS THE PROPERTY OF VICTOR INSULATORS, INC. AND CONTAINS PROPRIETARY AND CONFIDENTIAL INFORMATION WHICH MUST NOT BE DUPLICATED, USED, OR DISCLOSED OTHER THAN AS EXPRESSLY AUTHORIZED BY VICTOR INSULATORS, INC.

APPROVED  
 By A. E. Schwalm at 8:11 am, Apr 02, 2018



**Victor Insulators, Inc.**  
 280 Maple Avenue  
 Victor, New York 14564  
 Telephone: (585)924-2127  
 www.victorinsulators.com

PSP-214P

04-02-18

TM

PSP-214P