

STATION POST

CAT. NO. PSP-287P

115 kV 550 kV BIL

ANSI PSP-287P

DIMENSIONS:

LEAKAGE DISTANCE IN 106

MECHANICAL VALUES:

CANTILEVER STRENGTH LB 2,600
 TENSION STRENGTH LB 17,500
 TORSION STRENGTH IN-LB 14,000
 COMPRESSION STRENGTH LB 17,500

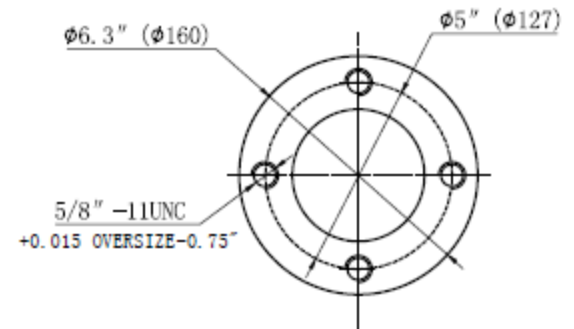
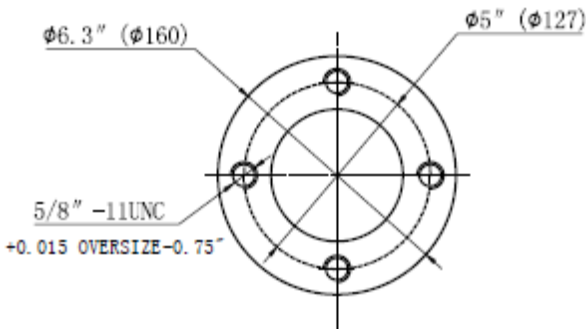
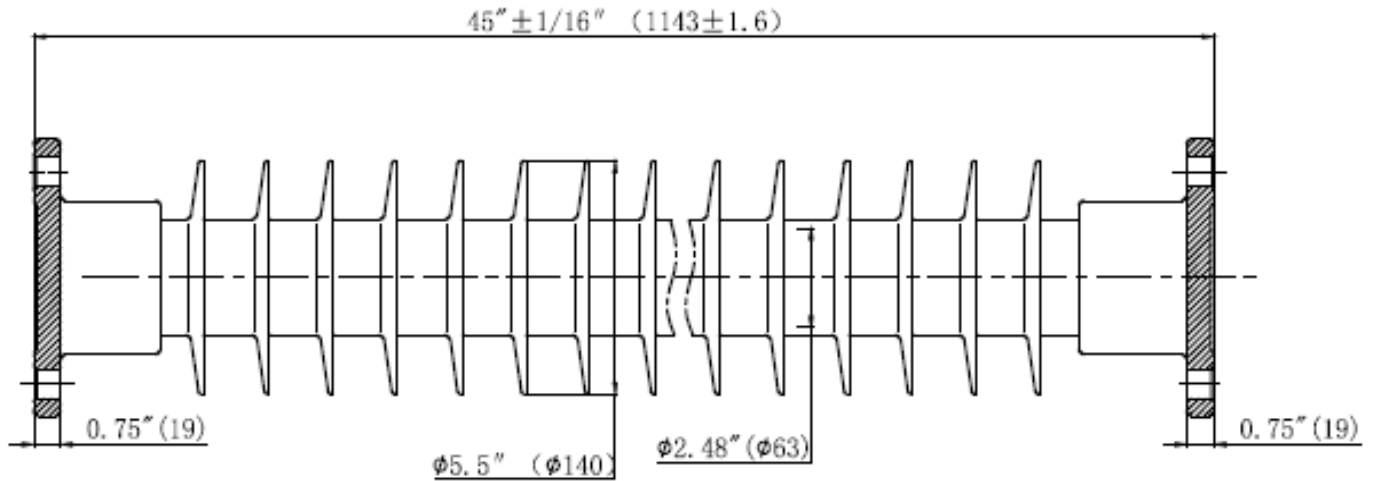
ELECTRICAL VALUES:

IMPULSE FLASHOVER-POSITIVE kV 610
 60 HERTZ WITHSTAND-WET kV 230
 IMPULSE WITHSTAND kV 550

RADIO INFLUENCE VOLTAGE DATA:

60 HERTZ TEST VOLTAGE TO GROUND kV 73
 MAXIMUM R.I.V. @ 1000 kHz μ V 200

- 1 ENG. MGR
- 2 ENG
- PURCH.
- 1 MKTG.
- PLT.MGR.
- COST
- PRD.
- INSP
- GLAZE
- BUSHING
- MAKING
- SHIP
- ASSEM
- MODEL
- MACH.
- 45
- TOOLING
- CER LAB
- 1 EL LAB
- 1 E.MEDIA



THIS DRAWING IS THE PROPERTY OF VICTOR INSULATORS, INC. AND CONTAINS PROPRIETARY AND CONFIDENTIAL INFORMATION WHICH MUST NOT BE DUPLICATED, USED, OR DISCLOSED OTHER THAN AS EXPRESSLY AUTHORIZED BY VICTOR INSULATORS, INC.

APPROVED
 By A. E. Schwalm at 9:38 am, Apr 06, 2016

04-05-16

TM

12-21-12

TM



Victor Insulators, Inc.

280 Maple Avenue
 Victor, New York 14564
 Telephone: (585)924-2127
 www.victorinsulators.com

PSP-287P