

**STATION POST**

CAT. NO. PSP-289P

138 kV 650 kV BIL

ANSI PSP-289P

DIMENSIONS:

LEAKAGE DISTANCE IN 116

MECHANICAL VALUES:

CANTILEVER STRENGTH(SCL)	LB	2,200
TENSION STRENGTH(STL)	LB	17,500
TORSION STRENGTH	IN-LB	18,000
COMPRESSION STRENGTH	LB	17,500

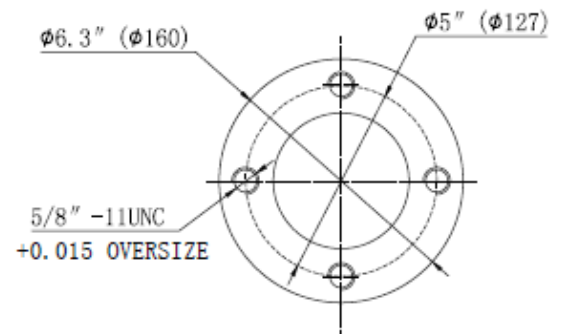
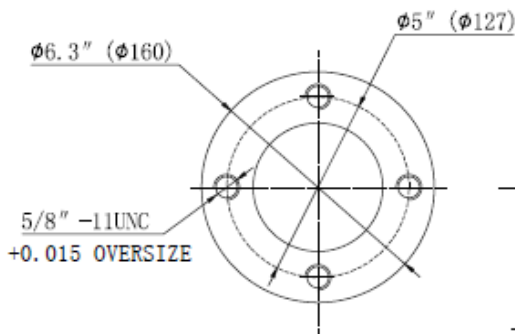
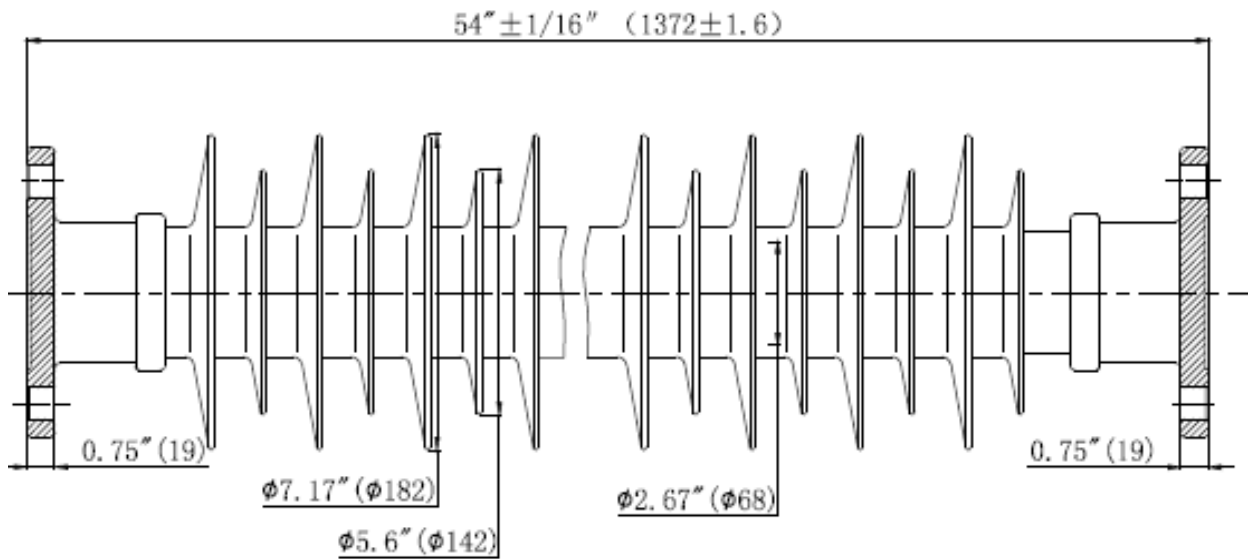
ELECTRICAL VALUES:

IMPULSE FLASHOVER-POSITIVE	kV	710
60 HERTZ WITHSTAND-WET	kV	275
IMPULSE WITHSTAND	kV	650

RADIO INFLUENCE VOLTAGE DATA:

60 HERTZ TEST VOLTAGE TO GROUND	kV	88
MAXIMUM R.I.V. @ 1000 kHz	μV	200

- 1 ENG. MGR
- 2 ENG
- PURCH.
- 1 MKTG.
- PLT.MGR.
- COST
- PRD.
- INSP
- GLAZE
- BUSHING
- MAKING
- SHIP
- ASSEM
- MODEL
- MACH.
- 45
- TOOLING
- CER LAB
- 1 EL LAB
- 1 E.MEDIA



THIS DRAWING IS THE PROPERTY OF VICTOR INSULATORS, INC. AND CONTAINS PROPRIETARY AND CONFIDENTIAL INFORMATION WHICH MUST NOT BE DUPLICATED, USED, OR DISCLOSED OTHER THAN AS EXPRESSLY AUTHORIZED BY VICTOR INSULATORS, INC.

**APPROVED**  
By A. E. Schwalm at 10:34 am, Jun 06, 2018



**Victor Insulators, Inc.**  
280 Maple Avenue  
Victor, New York 14564  
Telephone: (585)924-2127  
www.victorinsulators.com

**PSP-289P**

06-06-18

TM

PSP-289P