

SUSPENSION INSULATOR

CAT. NO. VI 52-1

ANSI CLASS 52-1

DIMENSIONS:

LEAKAGE DISTANCE IN[mm] 7.25[178]

MECHANICAL VALUES:

M&E STRENGTH LB[kN] 10,000[45]
 IMPACT STRENGTH IN-LB[N-m] 45[5.0]
 TENSION PROOF LB[kN] 5,000[22.5]

ELECTRICAL VALUES:

60 HERTZ FLASHOVER-DRY kV 60
 60 HERTZ FLASHOVER-WET kV 30
 IMPULSE FLASHOVER-POS. kV 100
 IMPULSE FLASHOVER-NEG. kV 100
 60 HERTZ PUNCTURE VOLTAGE kV 80

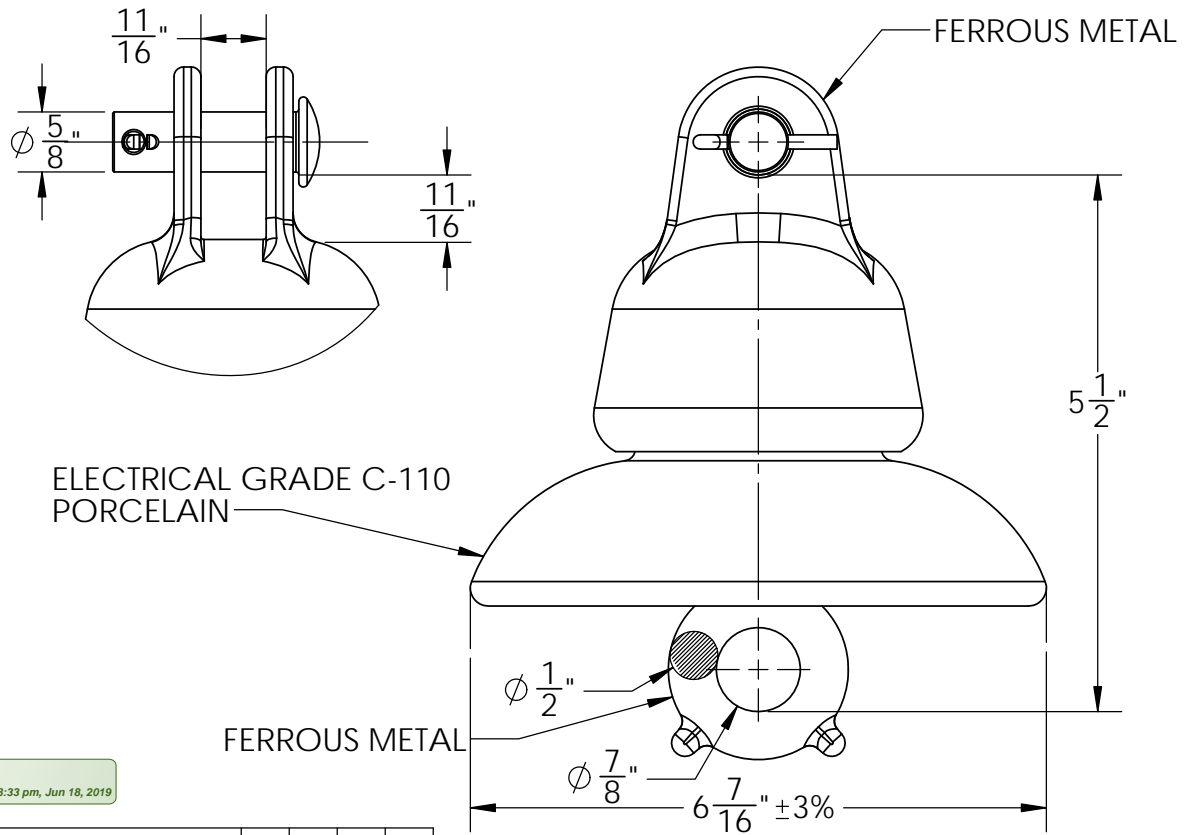
RADIO INFLUENCE VOLTAGE DATA:

60 HERTZ TEST VOLTAGE kV 7.5
 MAXIMUM R.I.V. @ 1000 kHz μ V 50

PACKAGING INFORMATION:

NET WEIGHT, LB[kg] 5.6[2.5]
 PACKED WEIGHT LB[kg] 6[2.7]
 NO. IN STANDARD PACKAGE 12

- 1 ENG. MGR
- 2 ENG
- PURCH.
- 1 MKTG.
- PLT.MGR.
- COST
- PRD.
- INSP
- GLAZE
- BUSHING
- MAKING
- SHIP
- ASSEM
- MODEL
- MACH.
- 45
- TOOLING
- CER LAB
- 1 EL LAB
- 1 E.MEDIA



THIS DRAWING IS THE PROPERTY OF VICTOR INSULATORS, INC. AND CONTAINS PROPRIETARY AND CONFIDENTIAL INFORMATION WHICH MUST NOT BE DUPLICATED, USED, OR DISCLOSED OTHER THAN AS EXPRESSLY AUTHORIZED BY VICTOR INSULATORS, INC.

APPROVED
 By A. E. Schwalm at 8:33 pm, Jun 18, 2019

06-17-19	ADDED MATERIALS	TM	C
06-22-18		TM	B
06-18-18		TM	A
11/11/2016		TM AF	



Victor Insulators, Inc.
 280 Maple Avenue
 Victor, New York 14564
 Telephone: (585)924-2127
 www.victorinsulators.com

VI 52-1