

30

PINTYPE INSULATOR

CAT NO: VI 605R

C-NECK 1" PINHOLE

ANSI CLASS 55-3

DIMENSIONS:

LEAKAGE DISTANCE IN 7

MECHANICAL VALUES:

CANTILEVER STRENGTH LB 2,500

ELECTRICAL VALUES:

60 HERTZ FLASHOVER-DRY kV 55
 60 HERTZ FLASHOVER-WET kV 30
 IMPULSE FLASHOVER-POSITIVE kV 90
 IMPULSE FLASHOVER-NEGATIVE kV 110
 60 HERTZ PUNCTURE VOLTAGE kV 90

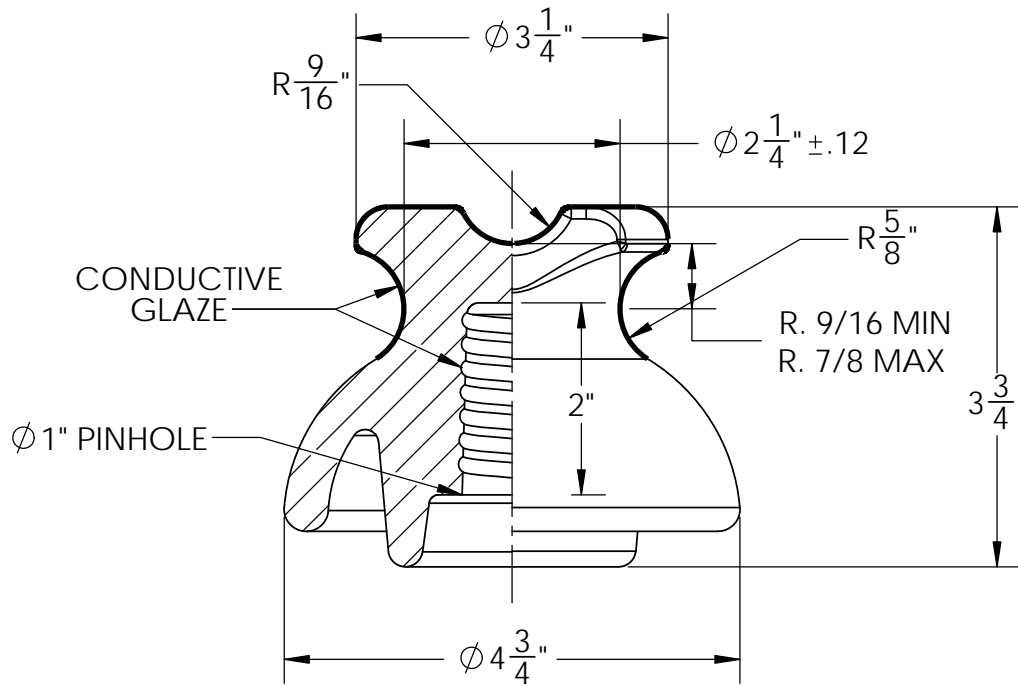
RADIO INFLUENCE VOLTAGE DATA:

60 HERTZ TEST VOLTAGE TO GROUND kV 10
 MAXIMUM R.I.V. @ 1000 kHz μ V 50

PACKAGING INFORMATION:

NET WEIGHT, LB 213
 PACKED WEIGHT LB 235
 NO. IN STANDARD PACKAGE 12

- ENG. MGR.
- 2 ENG.
- PURCH.
- 1 MKTG.
- PLT. MGR.
- COST
- 1 PRDD.
- INSP.
- GLAZE
- BUSHING
- MAKING
- 1 SHIP.
- 1 ASSEM.
- MODEL
- MACH.
- 45
- TOOLING
- CER. LAB.
- 1 EL. LAB.
- Q.A.



THIS DRAWING IS THE PROPERTY OF VICTOR INSULATORS, INC. AND CONTAINS PROPRIETARY AND CONFIDENTIAL INFORMATION WHICH MUST NOT BE DUPLICATED, USED, OR DISCLOSED OTHER THAN AS EXPRESSLY AUTHORIZED BY VICTOR INSULATORS, INC.

APPROVED
 By A. E. Schwalm at 8:40 am, Jan 10, 2017



Victor Insulators, Inc.
 280 Maple Avenue
 Victor, New York 14564
 Telephone: (585)924-2127
 www.victorinsulators.com

VI 605R

1-10-2017

AF TM