

19

DIMENSIONS

LEAKAGE DISTANCE	IN	13
DRY ARCING DISTANCE	IN	7
MINIMUM PIN HEIGHT	IN	6

HIGH VOLTAGE PIN TYPE

CAT. NO. VI 627R	
J-NECK	1 3/8" PINHOLE
ANSI CLASS 56-1	

MECHANICAL VALUES

CANTILEVER STRENGTH	LB	2,500
---------------------	----	-------

ELECTRICAL VALUES

IMPULSE FLASHOVER-POS.	kV	150
IMPULSE FLASHOVER-NEG.	kV	190
60 HERTZ FLASHOVER-WET	kV	60
60 HERTZ FLASHOVER-DRY	kV	95
60 HERTZ PUNCTURE VOLTAGE	kV	130

RADIO INFLUENCE VOLTAGE DATA

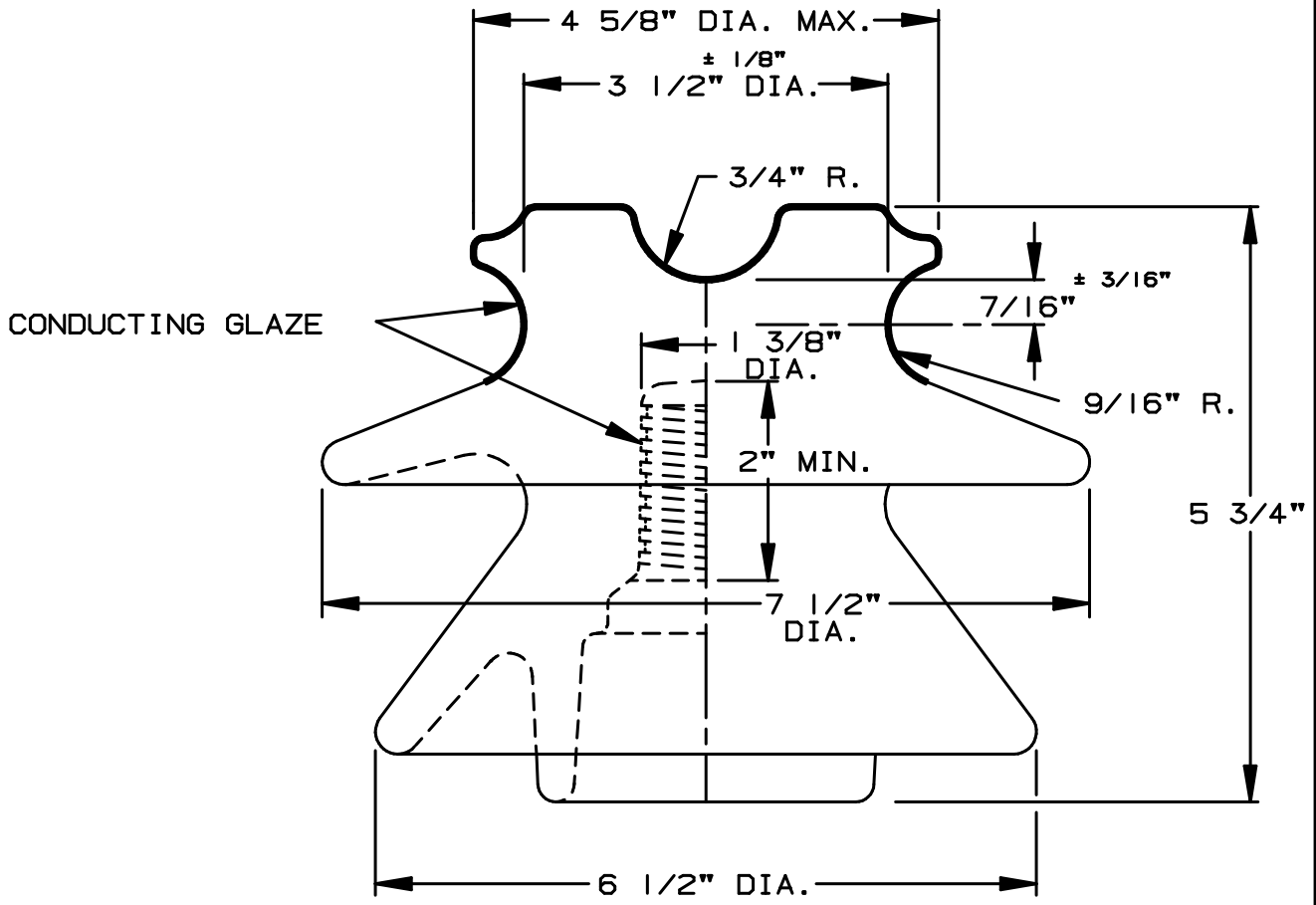
60 HERTZ TEST VOLTAGE	kV	15
MAXIMUM RIV @ 1000 kHz	$\mu$ V	100

PACKING INFORMATION

NET WEIGHT PER 100	LB	750
PACKED WEIGHT PER 100	LB	800
NO. IN STANDARD PACKAGE		3

1 ENG. MGR.  
 2 ENG.  
 PURCH.  
 MKTG.  
 PLT. MGR.  
 COST  
 PROD.  
 INSP.  
 GLAZE  
 BUSHING  
 MAKING  
 SHIP.  
 ASSEM.  
 MODEL  
 MACH.  
 45  
 TOOLING  
 CER. LAB.  
 EL. LAB.  
 Q.A.

THIS DRAWING IS THE PROPERTY OF VICTOR INSULATORS, INC. AND CONTAINS PROPRIETARY AND CONFIDENTIAL INFORMATION WHICH MUST NOT BE DUPLICATED, USED, OR DISCLOSED OTHER THAN AS EXPRESSLY AUTHORIZED BY VICTOR INSULATORS, INC.



APPROVED  
 By A. E. Schwalm at 2:47 pm, Jan 27, 2014

01-27-14		TM		
02-14-02		TM	AS	A

**VI** INSULATORS  
 VICTOR INSULATORS, INC.  
 280 MAPLE AVENUE  
 VICTOR, NEW YORK 14564  
 TELEPHONE: (716)924-2127

VI 627R

FILE: VI 627R