

**HIGH VOLTAGE PIN TYPE**

CAT. NO. VI 633R

"K" NECK ANSI CLASS NO. 56-2

DIMENSIONS:

LEAKAGE DISTANCE	IN	17
DRY ARCING DISTANCE	IN	8.25
MINIMUM PIN HEIGHT	IN	7

MECHANICAL VALUES:

CANTILEVER STRENGTH	LB	3,000
---------------------	----	-------

ELECTRICAL VALUES:

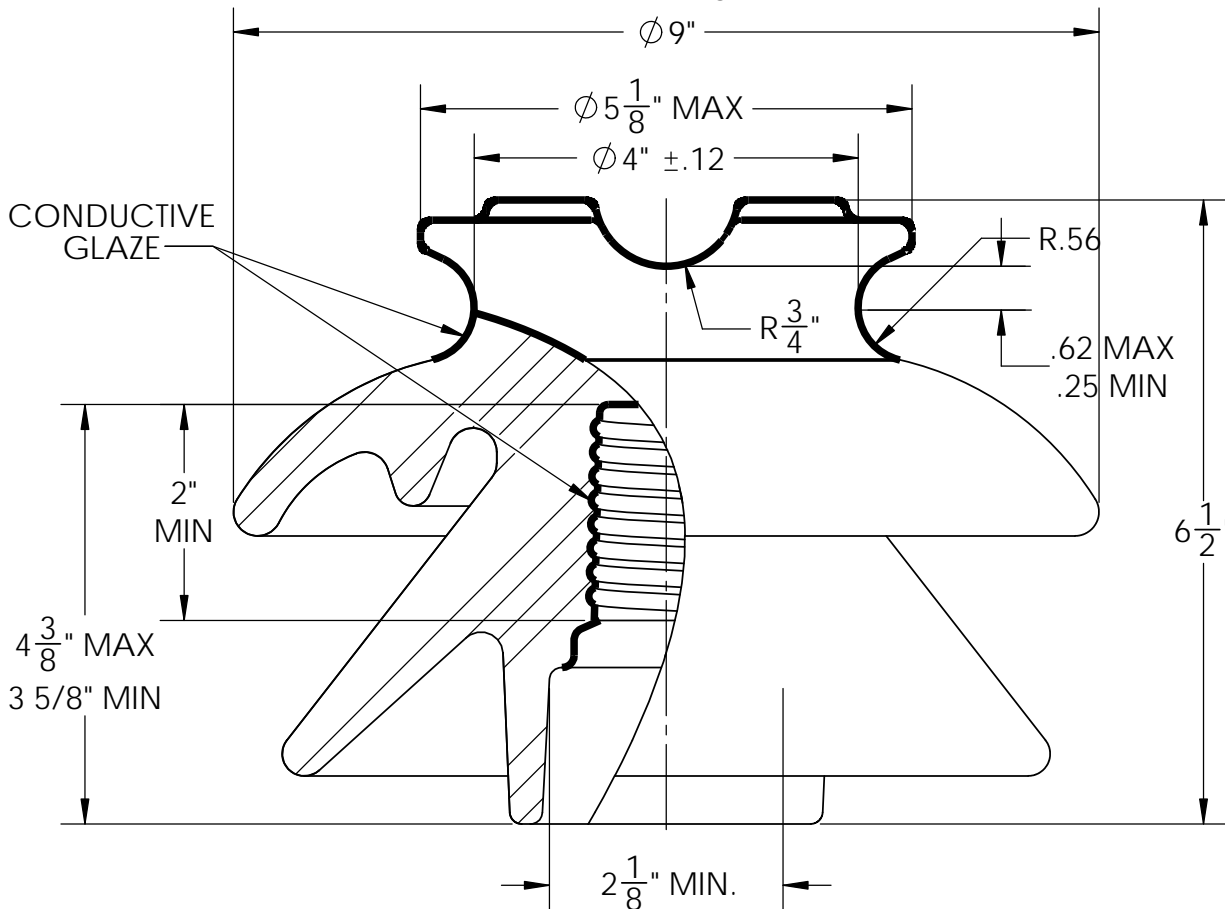
60 HERTZ FLASHOVER, DRY	kV	110
60 HERTZ FLASHOVER, WET	kV	70
IMPULSE FLASHOVER-POSITIVE	kV	175
IMPULSE FLASHOVER-NEGATIVE	kV	225
60 HERTZ PUNCTURE VOLTAGE	kV	145

RADIO INFLUENCE VOLTAGE DATA:

60 HERTZ TEST VOLTAGE TO GROUND	kV	22
MAXIMUM R.I.V. @ 1000 kHz	μV	100

PACKAGING INFORMATION:

NET WEIGHT,	LB	9.25
PACKED WEIGHT	LB	10.5
NO. IN STANDARD PACKAGE		3



**APPROVED**  
By A. E. Schwalm at 12:34 pm, Oct 12, 2016



**Victor Insulators, Inc.**  
280 Maple Avenue  
Victor, New York 14564  
Telephone: (585)924-2127  
www.victorinsulators.com

**VI 633R**

10-10-16

TM

THIS DRAWING IS THE PROPERTY OF VICTOR INSULATORS, INC. AND CONTAINS PROPRIETARY AND CONFIDENTIAL INFORMATION WHICH MUST NOT BE DUPLICATED, USED, OR DISCLOSED OTHER THAN AS EXPRESSLY AUTHORIZED BY VICTOR INSULATORS, INC.

FILE: VI 633R