

20

PIN TYPE INSULATOR  
 CAT. NO. VI 655R  
 ANSI. CLASS NO. 56-4

DIMENSIONS

1 ENG. MGR	LEAKAGE DISTANCE	IN	27
2 ENG	DRY ARCING DISTANCE	IN	11.25
PURCH.	MINIMUM PIN HEIGHT	IN	10

MECHANICAL VALUES

PLT.MGR.	CANTILEVER STRENGTH	LB	3,000
----------	---------------------	----	-------

ELECTRICAL VALUES

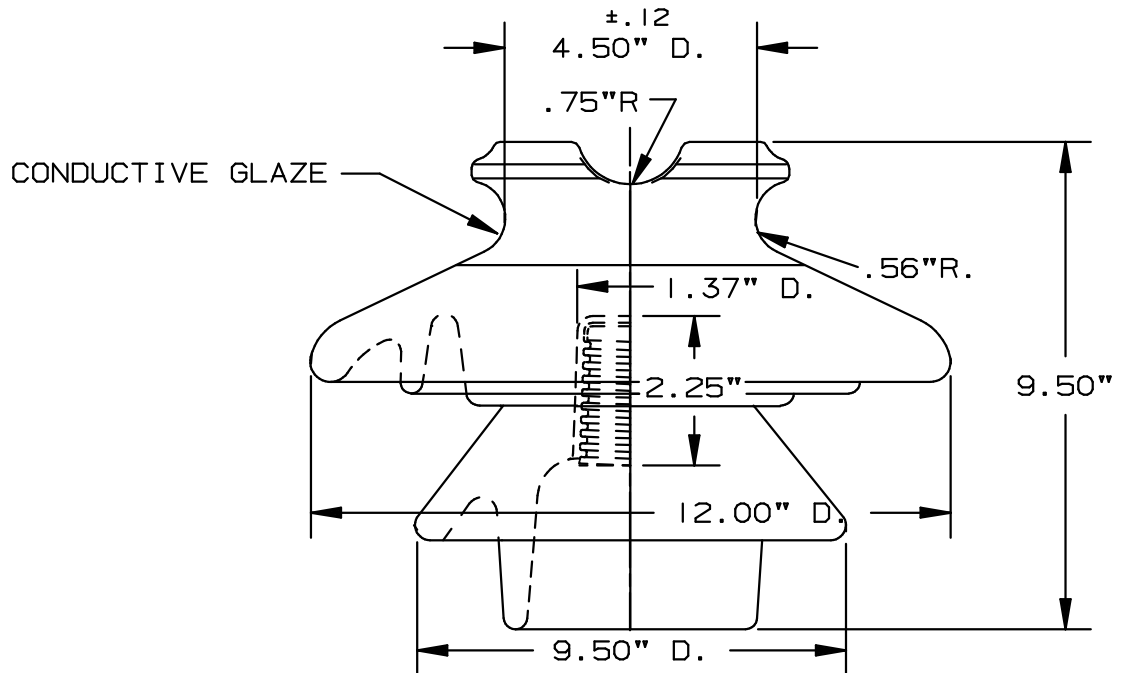
BUSHING	60 HERTZ FLASHOVER-DRY	kV	140
MAKING	60 HERTZ FLASHOVER-WET	kV	95
SHIP	IMPULSE FLASHOVER-POS.	kV	225
ASSEM	IMPULSE FLASHOVER-NEG.	kV	310
MODEL	60 HERTZ PUNCTURE VOLTAGE	kV	185

RADIO INFLUENCE VOLTAGE DATA

45	60 HERTZ TEST VOLTAGE	kV	30
TOOLING	RMS TO GND.		
CER LAB	MAXIMUM RIV @ 1000 KHz		
EL LAB	RADIO FREED	μV	200
Q. A.	PLAIN	μV	16,000

PACKING INFORMATION

	NET WEIGHT , PER 100	LB	1,900
	PACKED WEIGHT , PER 100	LB	2,300
	NO. IN STANDARD PACKAGE		1



THIS DRAWING IS THE PROPERTY OF VICTOR INSULATORS, INC. AND CONTAINS PROPRIETARY AND CONFIDENTIAL INFORMATION WHICH MUST NOT BE DUPLICATED, USED OR DISCLOSED OTHER THAN AS EXPRESSLY AUTHORIZED BY VICTOR INSULATORS, INC.

**APPROVED**  
 By A. E. Schwalm at 10:34 am, Jan 22, 2013



**Victor Insulators, Inc.**  
 280 MAPLE AVENUE  
 VICTOR, NEW YORK 14564  
 TELEPHONE: (585)924-2127

VI 655R

01-22-13

TM