

SUSPENSION

CAT. NO. VI 52-4H

ANSI 52-4H

DIMENSIONS:

LEAKAGE DISTANCE IN[mm] 12.5[320]

MECHANICAL VALUES:

M&E STRENGTH LB[kN] 20000[89]
 IMPACT STRENGTH IN-LB[N-m] 90[10]
 TENSION PROOF LB[kN] 10000[44.5]

ELECTRICAL VALUES:

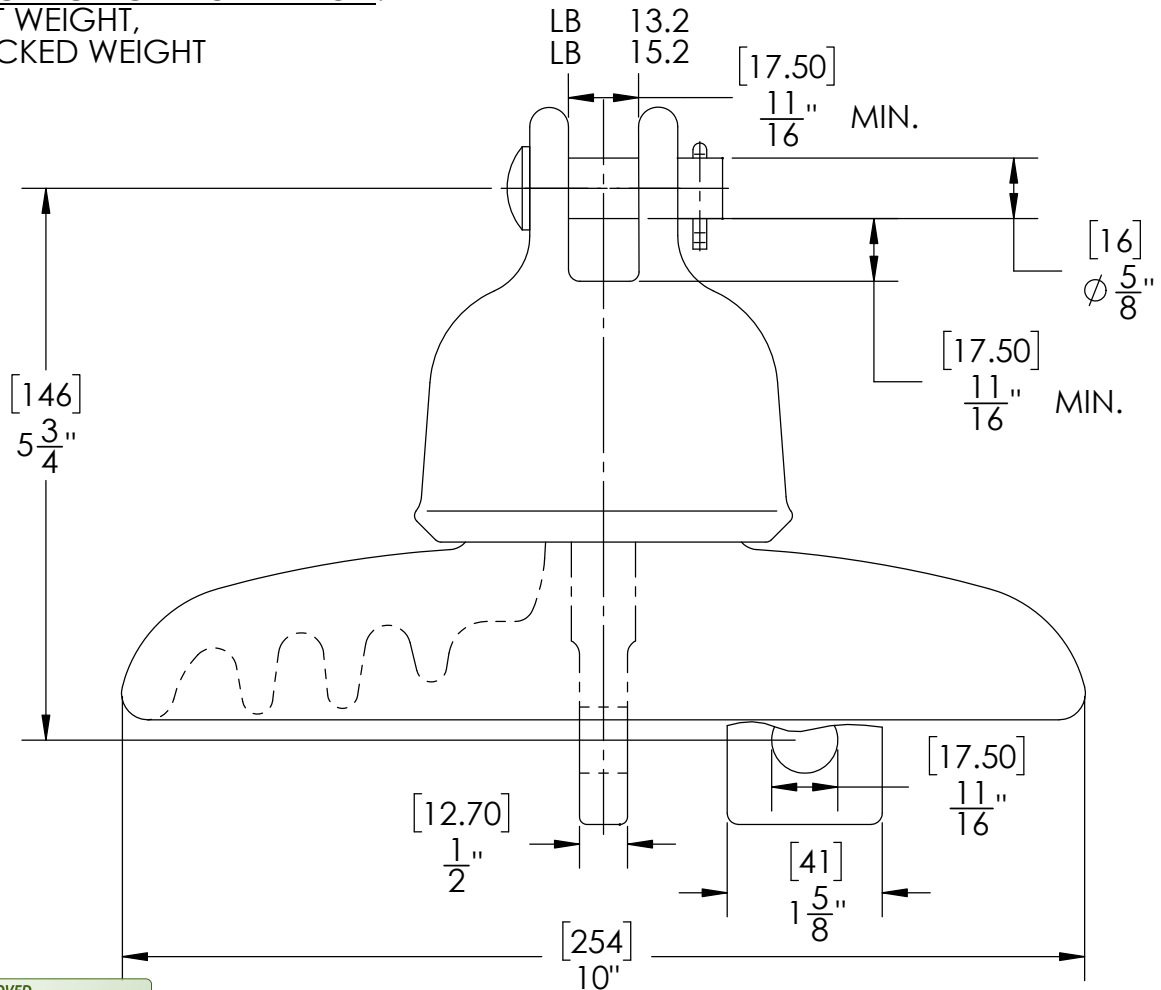
FREQUENCY FLASHOVER DRY kV 80
 FREQUENCY FLASHOVER WET kV 50
 IMPULSE FLASHOVER-POSITIVE kV 125
 IMPULSE FLASHOVER-NEGATIVE kV 130
 FREQUENCY PUNCTURE VOLTAGE kV 110

RADIO INFLUENCE VOLTAGE DATA:

60 HERTZ TEST VOLTAGE TO GROUND kV 10
 MAXIMUM R.I.V. @ 1000 kHz μV 50

PACKAGING INFORMATION:

NET WEIGHT, LB 13.2
 PACKED WEIGHT LB 15.2



APPROVED
 By A. E. Schwalm at 10:30 am, Jul 08, 2021

THIS DRAWING IS THE PROPERTY OF VICTOR INSULATORS, INC. AND CONTAINS PROPRIETARY AND CONFIDENTIAL INFORMATION WHICH MUST NOT BE DUPLICATED, USED, OR DISCLOSED OTHER THAN AS EXPRESSLY AUTHORIZED BY VICTOR INSULATORS, INC.

07-08-21		TM	
02-12-18		TM	
11/11/2016	TM	AF	



Victor Insulators, Inc.
 280 Maple Avenue
 Victor, New York 14564
 Telephone: (585)924-2127
 www.victorinsulators.com

VI 52-4H

SUPSEDES VI 52-4 DATED 09-02-09

FILE: VI 52-4H