

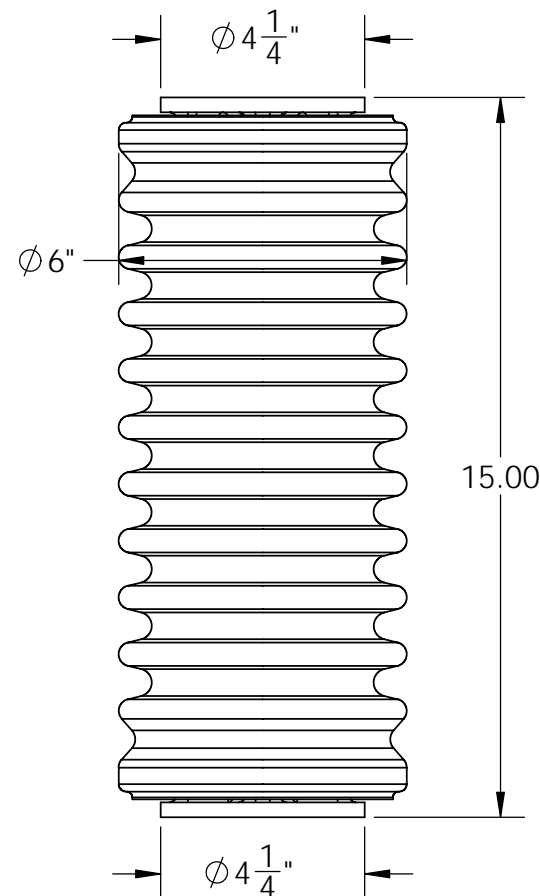
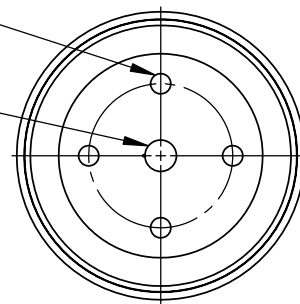
**BUS SUPPORT**

NEMA CLASS A-30

34.5 kV

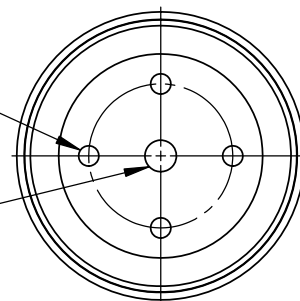
4 HOLES 1/2"-13  
5/8" DEEP  
ON 3" B.C.

1 HOLE 3/4"-10  
7/8" DEEP



4 HOLES 1/2"-13  
5/8" DEEP  
ON 3" B.C.

1 HOLE 3/4"-10  
7/8" DEEP



MECHANICAL VALUES

CANTILEVER STRENGTH	LB	1,250 *
TENSILE STRENGTH	LB	5,000
TORSION STRENGTH	IN-LB	6,000
COMPRESSION STRENGTH	LB	30,000

ELECTRICAL VALUES

NEMA VOLTAGE RATING	kV	34.5
60 HERTZ WITHSTAND-DRY	kV	80
60 HERTZ WITHSTAND-DEW	kV	-
IMPULSE WITHSTAND	kV	200

PACKING INFORMATION

PACKED WEIGHT PER 100	LB	4,000
-----------------------	----	-------

\* CANTILEVER STRENGTH  
GIVEN 2 1/2" ABOVE TOP

- ENG. MGR.
- 2 ENG.
- PURCH.
- 1 MKTG.
- PLT. MGR.
- CDST
- 1 PRDD.
- INSP.
- GLAZE
- BUSHING
- MAKING
- 1 SHIP.
- 1 ASSEM.
- MODEL
- MACH.
- 45
- TOOLING
- CER. LAB.
- 1 EL. LAB.
- Q.A.

THIS DRAWING IS THE PROPERTY OF  
 VICTOR INSULATORS, INC. AND CONTAINS  
 PROPRIETARY AND CONFIDENTIAL INFORMATION  
 WHICH MUST NOT BE DUPLICATED, USED,  
 OR DISCLOSED OTHER THAN AS EXPRESSLY  
 AUTHORIZED BY VICTOR INSULATORS, INC.

**APPROVED**  
By A. E. Schwalm at 4:53 pm, Aug 11, 2015



**Victor Insulators, Inc.**

280 Maple Avenue  
Victor, New York 14564  
Telephone: (585)924-2127  
www.victorinsulators.com

**5855-35**

07-28-15

TM

SUPERSEDES DWG 5855-35 DATED 10-21-98

PART NO. 5855-35