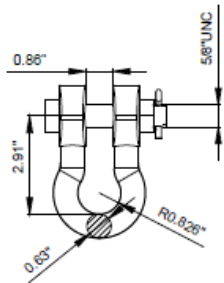
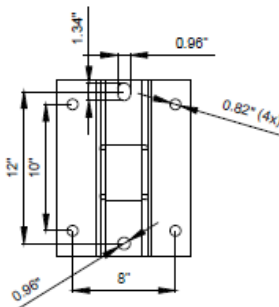


COMPONENTS:

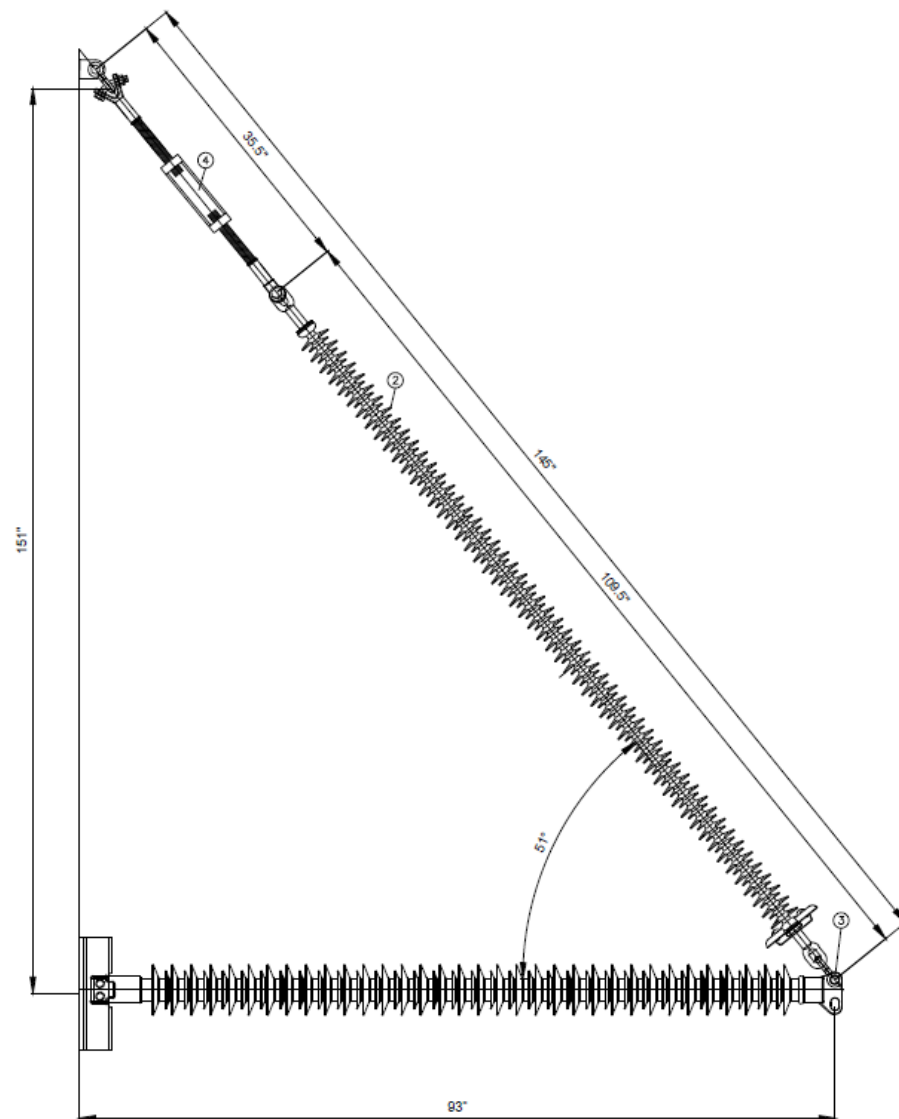
1. LINE POST: HP-64FA-2362-6426-XX
2. SUSPENSION: T111-EE-2710-7925-LA
3. COUPLING: HOT DIP GALVANIZED STEEL
4. TURNBUCKLE



DETAIL SHACKLE COUPLING
SCALE 4:1



DETAIL BASE
SCALE 1.5:1



DIMENSIONS

LEAKAGE DISTANCE	IN 253
DRY ARCING DISTANCE	IN 83

MECHANICAL VALUES

MAXIMUM WORKING LOAD (VERTICAL)	LB 9,500
MAXIMUM WORKING LOAD (LONGITUDINAL)	LB 910
MAXIMUM WORKING TENSILE LOAD	LB 7,500
MAXIMUM WORKING COMPRESSION LOAD	LB 7,500

ELECTRICAL VALUES

RATED VOLTAGE	KV 230
LOW FREQUENCY FLASHOVER, DRY	KV 740
LOW FREQUENCY FLASHOVER, WET	KV 640
IMPULSE FLASHOVER, POSITIVE	KV 1,160
IMPULSE FLASHOVER, NEGATIVE	KV 1,240

PACKING INFORMATION

NET WEIGHT	LB 117
------------	--------

APPROVED
By A. E. Schwalm at 10:37 am, Nov 29, 2023

REV DATE	11-29-23	TM
DATE	08-29-23	TM

BONOMI CODE	RDO000050-24
-------------	--------------

SYSTEM VOLTAGE: 230 kV

BRACED POST

BP-2362-6426-FA



Victor Insulators, Inc.
POWERED BY
Bonomi



THIS DRAWING IS THE PROPERTY OF VICTOR INSULATORS, INC. AND CONTAINS PROPRIETARY AND CONFIDENTIAL INFORMATION WHICH MUST NOT BE DUPLICATED, USED, OR DISCLOSED OTHER THAN AS EXPRESSLY AUTHORIZED BY VICTOR INSULATORS, INC.

FILE: BP-2362-6426-FA