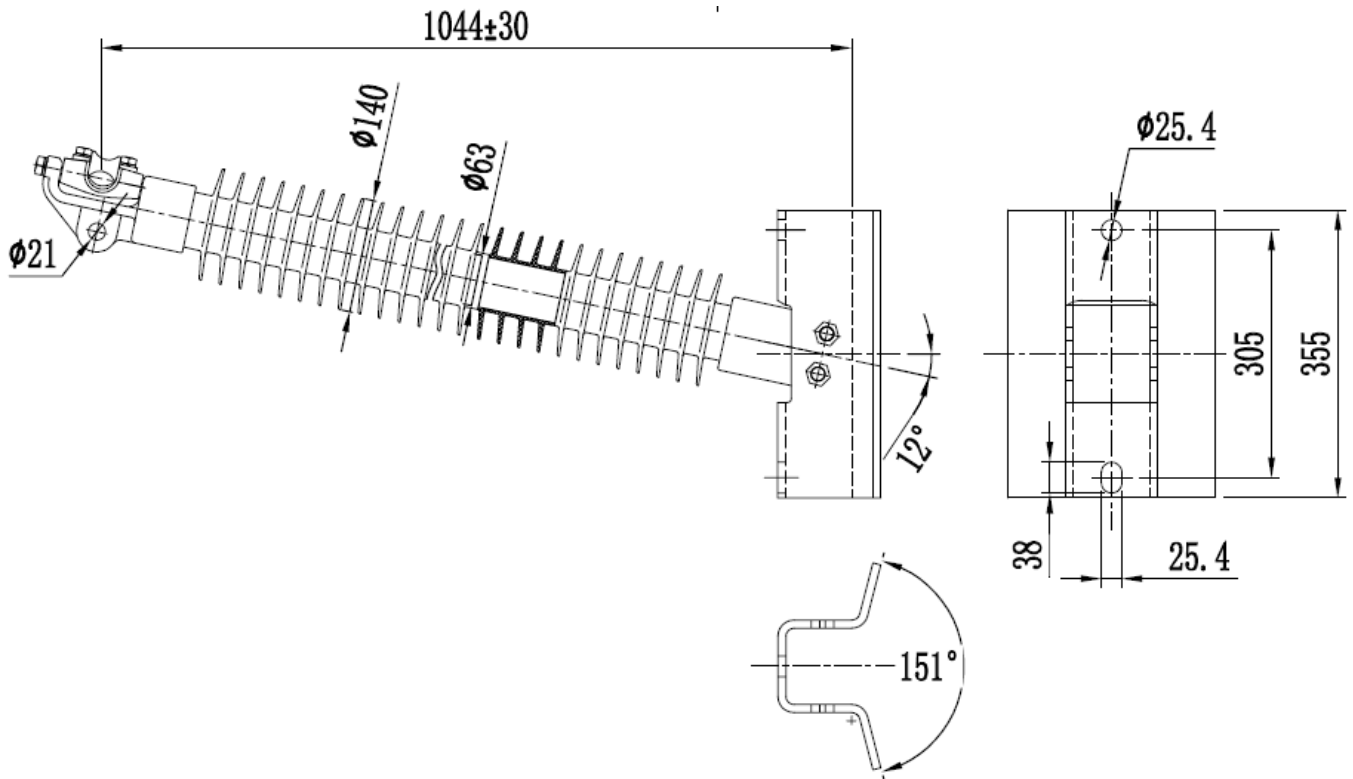


COMPOSITE LINE POST

CAT. NO. HP-63DB-1044-2600-XX

- 1 ENG. MGR
- 2 ENG
- PURCH.
- 1 MKTG.
- PLT.MGR.
- COST
- PRD.
- INSP
- GLAZE
- BUSHING
- MAKING
- SHIP
- ASSEM
- MODEL
- MACH.
- 45
- TOOLING
- CER LAB
- 1 EL LAB
- 1 E.MEDIA



TECHNICAL SPECIFICATIONS:

RATED VOLTAGE	kV	69
IMPULSE WITHSTAND	kV	410
60 HERTZ WITHSTAND, WET	kV	185
LEAKAGE DISTANCE	mm	2600
SPECIFIED CANTILEVER LOAD(SCL)	kN	11.13
CONDUCTOR SIZE	mm	Ø 6.5- Ø 32
NET WEIGHT	kg	29.8

THIS DRAWING IS THE PROPERTY OF VICTOR INSULATORS, INC. AND CONTAINS PROPRIETARY AND CONFIDENTIAL INFORMATION WHICH MUST NOT BE DUPLICATED, USED, OR DISCLOSED OTHER THAN AS EXPRESSLY AUTHORIZED BY VICTOR INSULATORS, INC.

APPROVED
By A. E. Schwalm at 1:54 pm, Feb 20, 2020

02-20-20

TM



Victor Insulators, Inc.
280 Maple Avenue
Victor, New York 14564
Telephone: (585)924-2127
www.victorinsulators.com

HP-63DB-
1044-2600-
XX