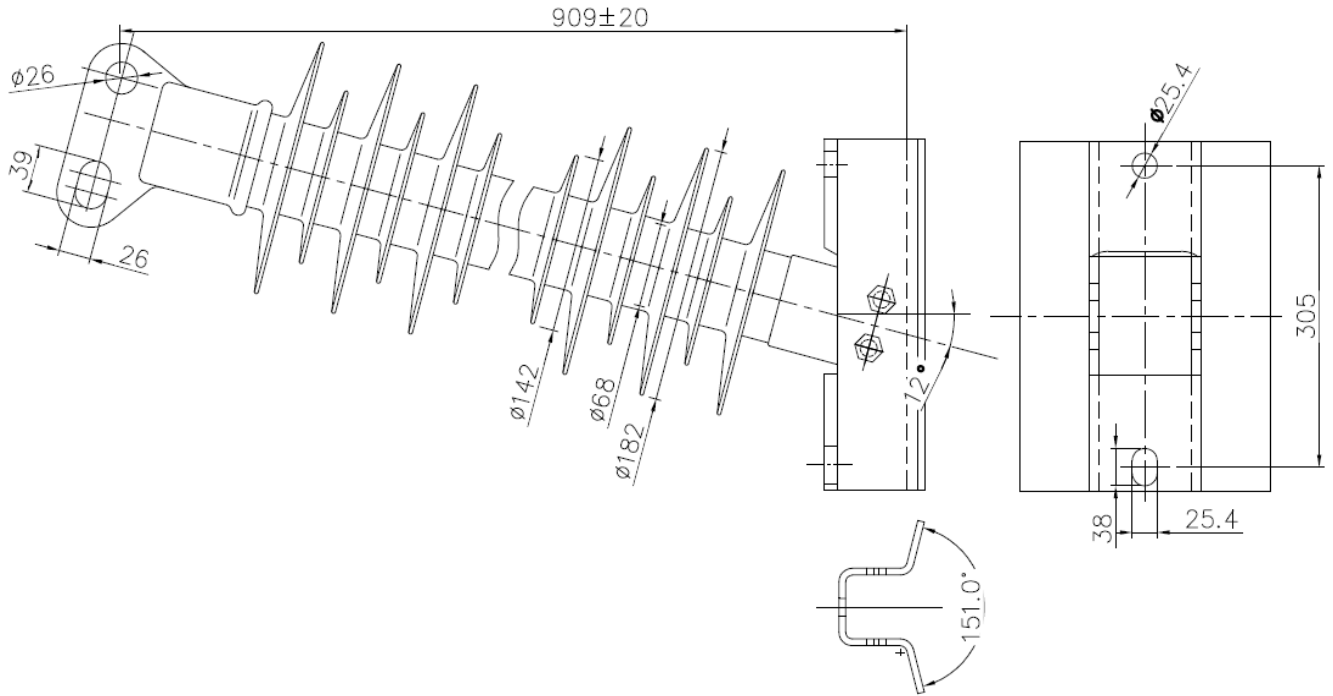


COMPOSITE LINE POST

CAT. NO. HP-68DA-909-2280-XX

- 1 ENG. MGR
- 2 ENG
- PURCH.
- 1 MKTG.
- PLT.MGR.
- COST
- PRD.
- INSP
- GLAZE
- BUSHING
- MAKING
- SHIP
- ASSEM
- MODEL
- MACH.
- 45
- TOOLING
- CER LAB
- 1 EL LAB
- 1 E.MEDIA



TECHNICAL SPECIFICATIONS:

RATED VOLTAGE	kV	69
60 HERTZ FLASHOVER, DRY	kV	280
60 HERTZ FLASHOVER, WET	kV	255
IMPULSE FLASHOVER, POSITIVE	kV	425
IMPULSE FLASHOVER, NEGATIVE	kV	540
LEAKAGE DISTANCE	mm	2,280
DRY ARCING DISTANCE	mm	690
SPECIFIED CANTILEVER LOAD(SCL)	kN	16
WEIGHT	kg	21.5

THIS DRAWING IS THE PROPERTY OF VICTOR INSULATORS, INC. AND CONTAINS PROPRIETARY AND CONFIDENTIAL INFORMATION WHICH MUST NOT BE DUPLICATED, USED, OR DISCLOSED OTHER THAN AS EXPRESSLY AUTHORIZED BY VICTOR INSULATORS, INC.

APPROVED
By A. E. Schwalm at 9:38 am, Sep 11, 2021

09-09-21

TM



Victor Insulators, Inc.
 280 Maple Avenue
 Victor, New York 14564
 Telephone: (585)924-2127
 www.victorinsulators.com

HP-68DA-
909-2280-XX