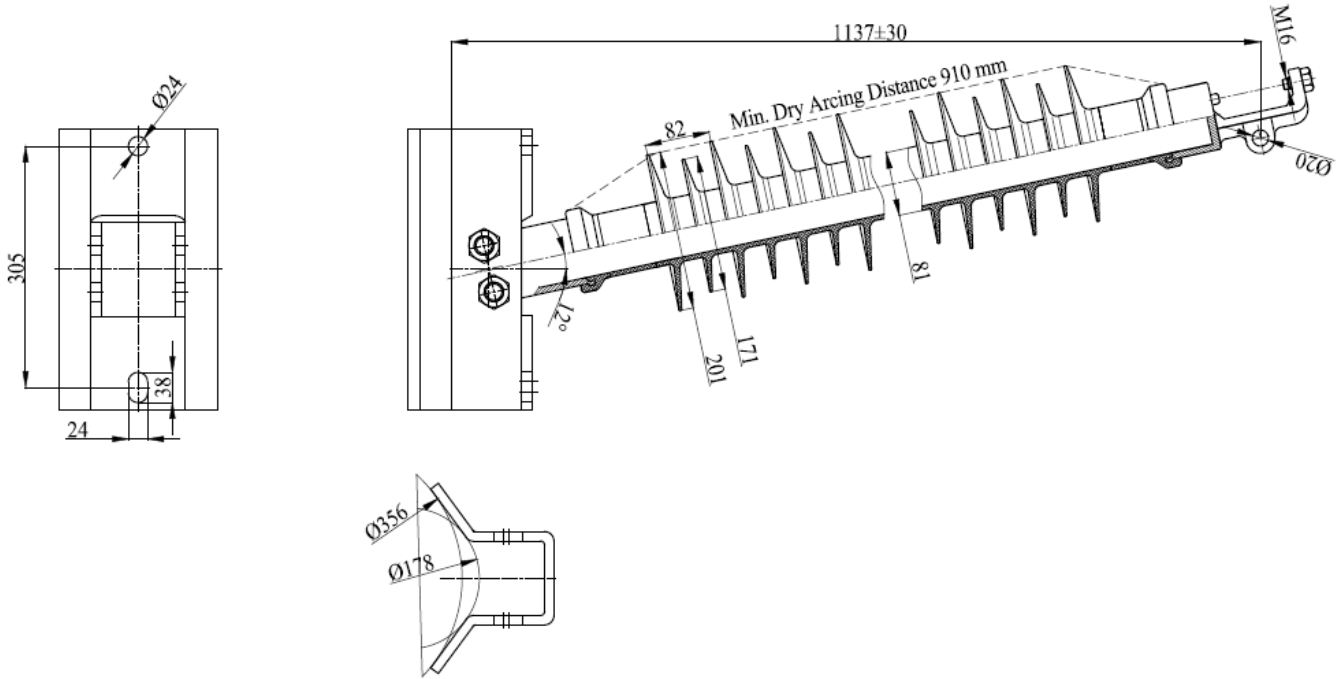


COMPOSITE LINE POST

CAT. NO. HP-70DD-1137-2480-XX

- 1 ENG. MGR
- 2 ENG
- PURCH.
- 1 MKTG.
- PLT.MGR.
- COST
- PRD.
- INSP
- GLAZE
- BUSHING
- MAKING
- SHIP
- ASSEM
- MODEL
- MACH.
- 45
- TOOLING
- CER LAB
- 1 EL LAB
- 1 E.MEDIA



TECHNICAL SPECIFICATIONS:

RATED VOLTAGE	kV	115
IMPULSE FLASHOVER, POSITIVE	kV	510
IMPULSE FLASHOVER, NEGATIVE	kV	615
60 HERTZ FLASHOVER, DRY	kV	330
60 HERTZ FLASHOVER, WET	kV	300
LEAKAGE DISTANCE	mm	2,480
DRY ARCING DISTANCE	mm	910
SPECIFIED CANTILEVER LOAD(SCL)	kN	19
MAXIMUM DESIGN CANTILEVER LOAD (MDCL)	kN	9.5
WEIGHT	kg	35.2

THIS DRAWING IS THE PROPERTY OF VICTOR INSULATORS, INC. AND CONTAINS PROPRIETARY AND CONFIDENTIAL INFORMATION WHICH MUST NOT BE DUPLICATED, USED, OR DISCLOSED OTHER THAN AS EXPRESSLY AUTHORIZED BY VICTOR INSULATORS, INC.

**APPROVED**  
By A. E. Schwalm at 10:56 am, Sep 17, 2021

09-16-21	CORRECTED RATINGS	TM	A
01-21-21		TM	



**Victor Insulators, Inc.**  
 280 Maple Avenue  
 Victor, New York 14564  
 Telephone: (585)924-2127  
 www.victorinsulators.com

HP-70DD-  
 1137-2480-  
 XX