

**COMPOSITE LINE POST**

CAT. NO. HP-70SA-2923-8670-LX

DIMENSIONS

LEAKAGE DISTANCE	mm	8,670
DRY ARCING DISTANCE	mm	2,660

MECHANICAL VALUES

SPECIFIED CANTILEVER LOAD(SCL)	kN	4
MAX DESIGN CANTILEVER LOAD(MDCL)	kN	2

ELECTRICAL VALUES

SYSTEM VOLTAGE	kV	345
IMPULSE FLASHOVER, NEGATIVE	kV	1,770
IMPULSE FLASHOVER, POSITIVE	kV	1,670
IMPULSE WITHSTAND	kV	1,300
LOW FREQUENCY FLASHOVER, DRY	kV	1,065
LOW FREQUENCY FLASHOVER, WET	kV	980
LOW FREQUENCY WITHSTAND, WET	kV	600

RADIO INFLUENCE DATA

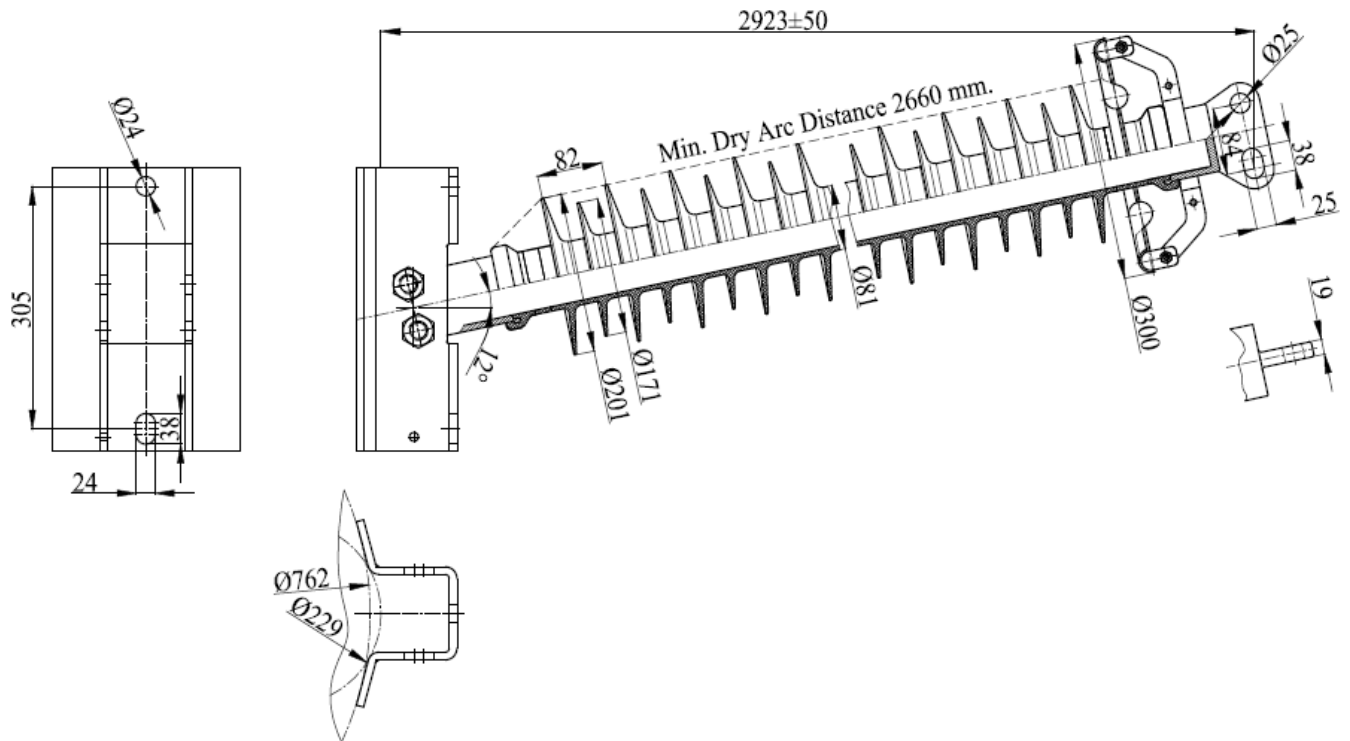
MAXIMUM R.I.V. @ 1,000 KHZ	µV	1,000
R.I.V. TEST VOLTAGE	kV	240

PACKING INFORMATION

NET WEIGHT	kg	58.9
------------	----	------

- 1 ENG. MGR
- 2 ENG
- PURCH.
- 1 MKTG.
- PLT.MGR.
- COST
- PRD.
- INSP
- GLAZE
- BUSHING
- MAKING
- SHIP
- ASSEM
- MODEL
- MACH.
- 45
- TOOLING
- CER LAB
- 1 EL LAB
- 1 E.MEDIA

THIS DRAWING IS THE PROPERTY OF VICTOR INSULATORS, INC. AND CONTAINS PROPRIETARY AND CONFIDENTIAL INFORMATION WHICH MUST NOT BE DUPLICATED, USED, OR DISCLOSED OTHER THAN AS EXPRESSLY AUTHORIZED BY VICTOR INSULATORS, INC.



**APPROVED**  
By A. E. Schwalm at 2:35 pm, Mar 08, 2023

03-07-23		TM	
04-13-21		TM	



**Victor Insulators, Inc.**  
 280 Maple Avenue  
 Victor, New York 14564  
 Telephone: (585)924-2127  
 www.victorinsulators.com

**HP-70SA-2923-8670-LX**